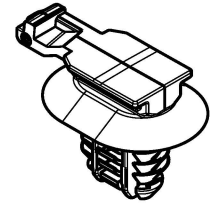


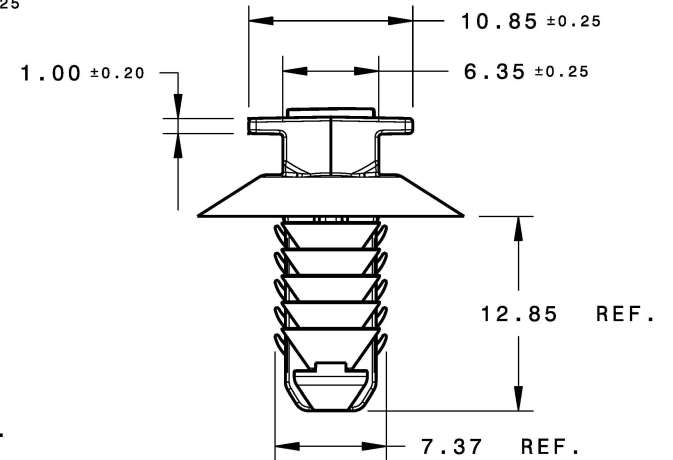
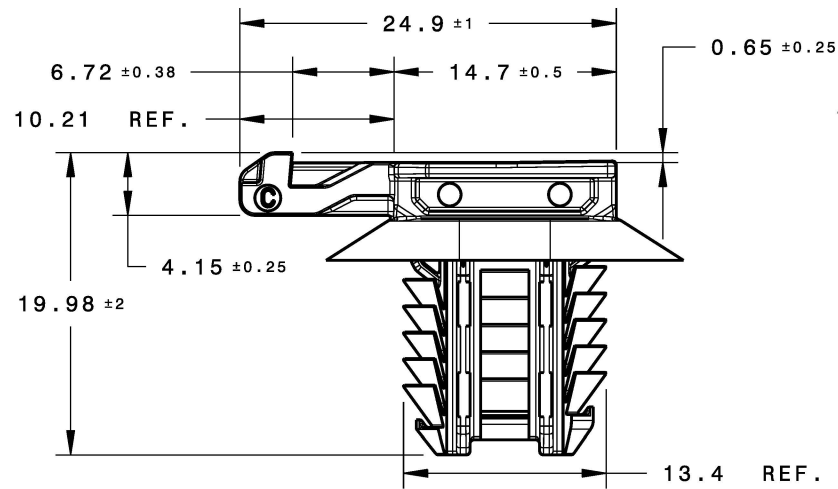
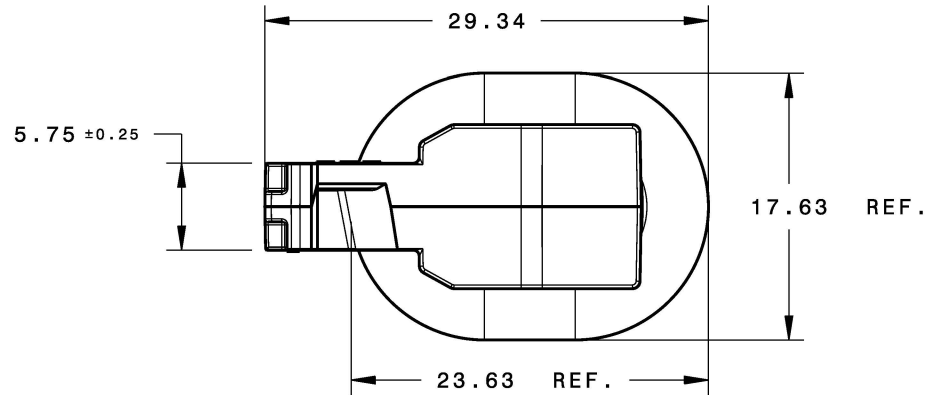
REFERENCE:

PERFORMANCE REQUIREMENTS AT DRY AS MOLDED:

1. FIR TREE PUSH IN FORCE: REF. 10 LBS MAX IN EACH APPLICABLE OVAL HOLE SIZE AND A PLATE THICKNESS OF 1.8mm
2. FIR TREE PULL OUT FORCE: REF. 25 LBS MIN IN EACH APPLICABLE OVAL HOLE SIZE AND A PLATE THICKNESS OF 1.8mm
3. SHEET METAL THICKNESS RANGE: 0.60mm - 6.0mm
4. APPLICABLE OVAL HOLE SIZES:
 - A. 6.2 X 12.2mm
 - B. 6.5 x 12.5mm
 - C. 6.5 x 13.0mm
 - D. 7.0 x 12.0mm



Isometric view
Scale: 1:1



INVENTORS

HellermannTyton®

ALL PROPRIETARY RIGHTS IN THE SUBJECT MATTER SHOWN ON THIS DRAWING ARE EXCLUSIVE PROPERTY OF HELLERMANNTYTON

name	date	city, state
S. ADAMS	5/10/10	MENOMONEE FALLS, WI.

REVISIONS	DR level	05
	AW by	SJA
	IN date	4/27/11
	GN ECN #	011828
	NS part level	C

DIMENSIONS	TOP	.XXXX = ± 0.25
	PREP	.XXX = ± 0.50
	ANCES	.XX = ± 1.00
		.X = ± 2.00
		∠ = ± 1.00
	unless otherwise specified	
	units	millimeters

PART	number	CCOVAL	phase	PRODUCTION
	name	OVAL HOLE CONNECTOR CLIP		
	material	NYLON 6/6, IM. HS UV RESISTANT COLOR: BLACK		

DRAWING	FORMAT	AH	CATIA V5	SCALE	2:1
	VERSION	J	CAD	previous drawing number	
	A- SIZE (landscape)_N01				
	drawn	S. ADAMS	P. TRAUTFIELD	approved	
		5/10/10	4/27/11	approved	
	type	CUSTOMER	sheet 1 of 1		
	number	MT11-0156-001CST			

Product Number
Cross Reference Record

Uncontrolled Document

Pre-UNS Number System	(New) UNS Universal Number System	Customer Part Number
Product Number CCOVAL	Product Number 151-00925	Product Number -
Reference Drawing Number: MT11-0156-001CST		

Issued By:	(New) UNS Product Number	Issue Date:
HellermannTyton	Universal Numbering System	December 5, 2011